

TCIL LED SERIES

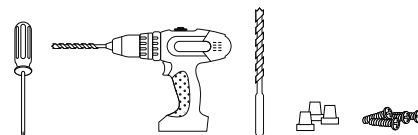
Installation Instructions

Low Voltage ONLY!

This sign operates within an input range of 12VDC to 24VDC.

What You Need:

- Phillips Head Screw Driver
- Drill with a 5/16" and 7/8" drill bit
(not supplied)
- (4) Appropriate Wall Fasteners
(not supplied)
- Wire Connectors
- Control Switch
(ordered separately)



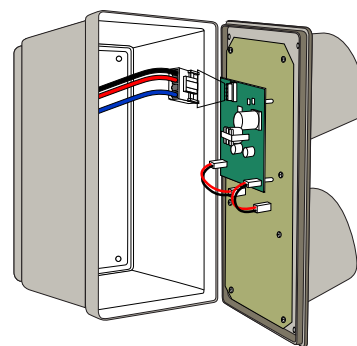
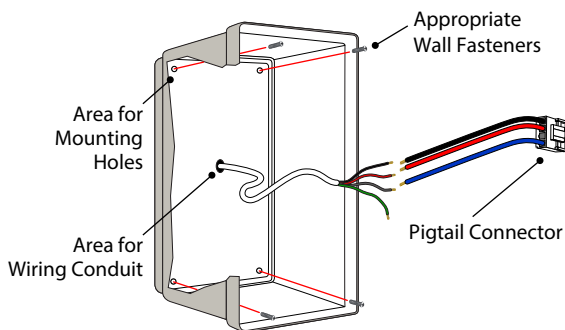
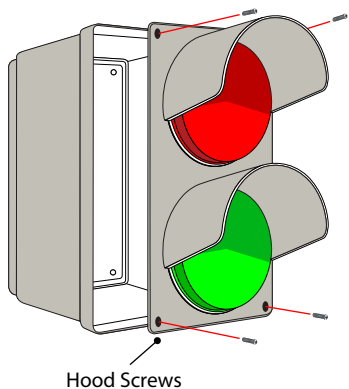
Always turn off the power prior to installation.



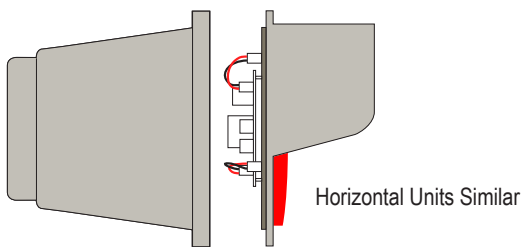
Be sure any metal debris cleared out of the cabinet.

Installation Steps

1. Remove the hood from the housing by unscrewing the four retaining screws on the front of the unit.
2. Use a 5/16" drill bit to drill (4) four holes in the housing for mounting fasteners and a 7/8" drill bit for conduit.
3. For Surface Mounting
Mount the housing securely to the surface using four appropriate fasteners (not supplied).
5. Disconnect the wiring pigtail from the circuit board to make wiring connections, see diagram on back
6. Plug pigtail into the circuit board and replace the hood and the four retaining screws removed in step 1.



Low Voltage ONLY!

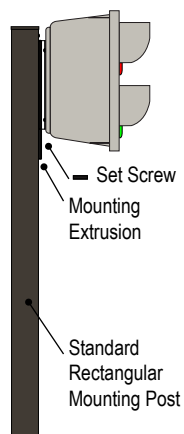


Note: Do not over-tighten fasteners or distort back panel.

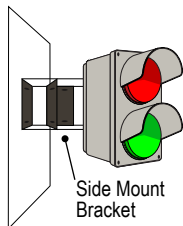
Note: This sign is intended to be installed in accordance with the requirements of Article 600 of the National Electric Code and/or other applicable local codes. This includes proper grounding and bonding of the sign.

Wall Mounting Dimensions

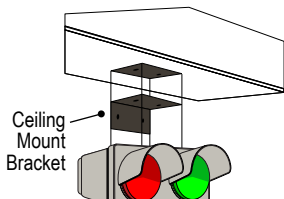
Mounting Options



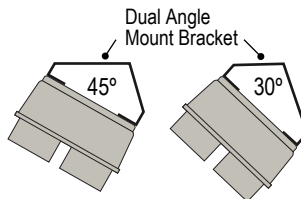
Post Mount



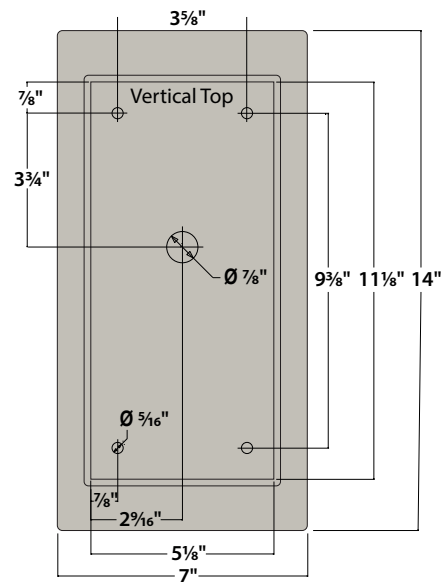
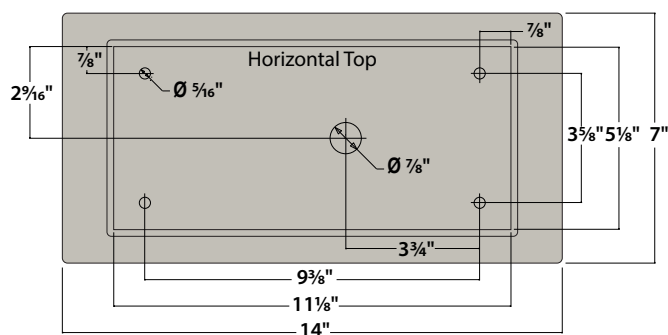
Side Mount



Ceiling Mount

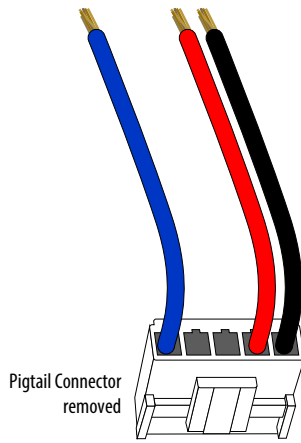
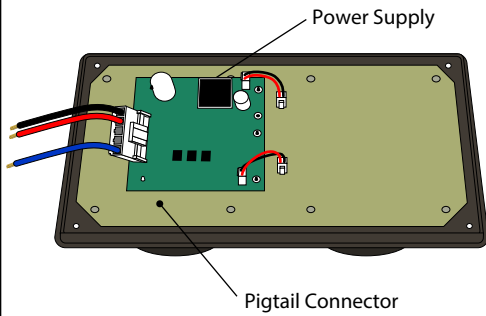


Angle Mount



Making your Wiring Connections

1. To make your electrical connections easier, gently unplug the supplied wired pigtail connector from the power supply.



Low Voltage ONLY!

2. With your incoming power already running through the mounted back you can easily make all connections to the pigtail using wire connectors. (See below for diagrams of the various wiring applications)
3. Plug the pigtail connector back into the power supply to finish off the electrical part of your installation. The connector is "keyed" and can only be installed in one orientation
4. You're done with the electrical! Time to close up the sign by pushing the cabinet closed and replacing the two screws you removed from the bottom of the cabinet.



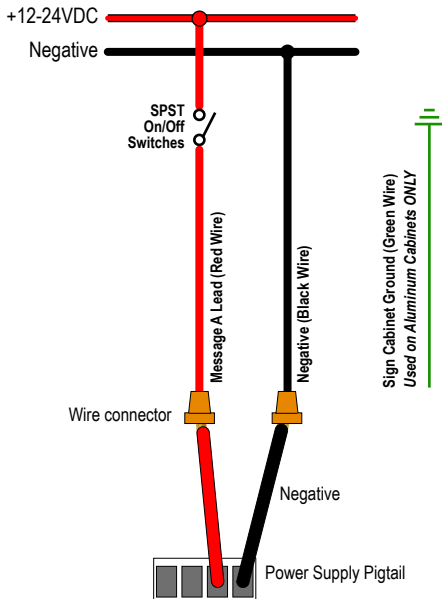
Note: Make appropriate wiring connections per local code.

LOW VOLT

Wiring for a Single Message Sign

- Wire color of Message A Red

Input range of 12-24VDC ONLY!

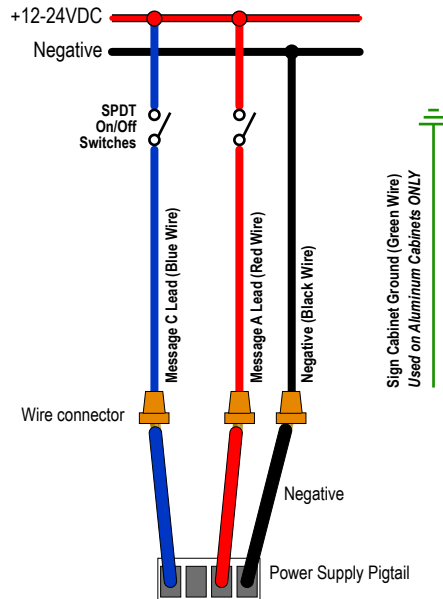


LOW VOLT

Wiring for a Two Message Sign

- Wire color of Message C Blue
- Wire color of Message A Red

Input range of 12-24VDC ONLY!

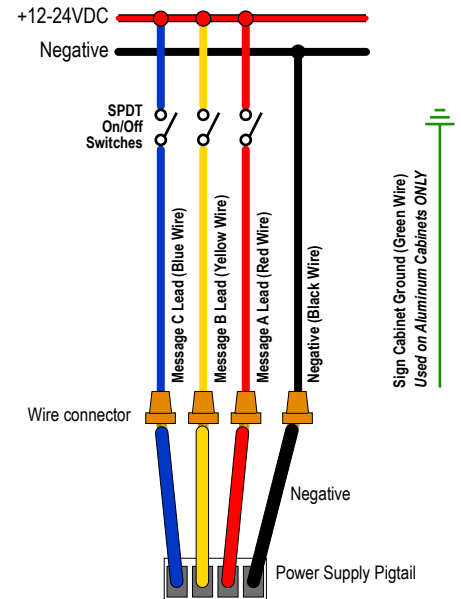


LOW VOLT

Wiring for a Three Message Sign

- Wire color of Message C Blue
- Wire color of Message B Yellow
- Wire color of Message A Red

Input range of 12-24VDC ONLY!



Note: Make appropriate wiring connections per local code.

Note: Any holes drilled into sign cabinet MUST be sealed. Failure to do so may cause a short and void warranty.

Note: This sign is intended to be installed in accordance with the requirements of Article 600 of the National Electric Code and/or other applicable local codes. This includes proper grounding and bonding of the sign.

Normal Operation

There are 4 LEDs on the power supply

+12V LED

Illuminates green with 12-24V power applied to the Pigtail.

A Output LED

Illuminates with power applied to Red wire

B Output LED

Illuminates with power applied to Yellow wire

C Output LED

Illuminates with power applied to Blue wire

