

TCL LED SERIES



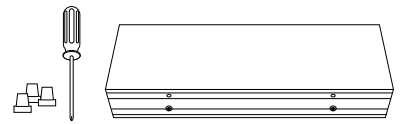
Installation Instructions

Low Voltage ONLY!

This sign operates within an input range of 12VDC to 24VDC.

What You Need:

- Phillips Head Screw Driver
- Control Switch (*ordered separately*)
- Appropriate Wall Fasteners
- Wire Connectors
- Pencil
- Level



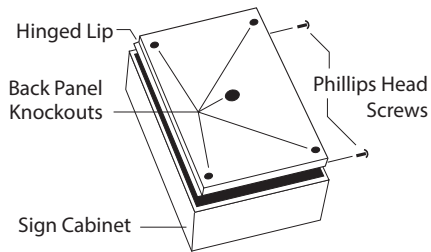
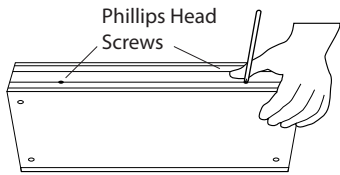
Always turn off the power prior to installation.



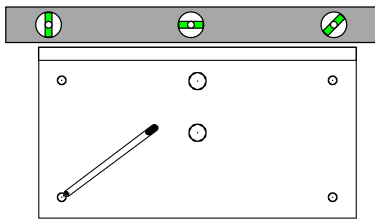
Be sure any metal debris cleared out of the cabinet.

Installation Steps

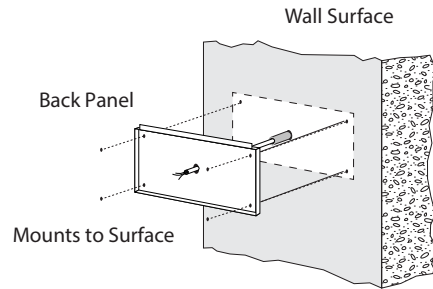
- Using a Phillips head screw driver, remove the two screws on the bottom of the cabinet. With the screws removed the back will lift off the cabinet. Remove the four mounting knockouts and the center knockout for your power conduit.



- Place the back panel on the wall surface using a level to make sure it's straight. Use a pencil to mark the locations of the mounting holes on your wall surface. Drill your wall surface. The diameter of the (4) four corner mounting knockouts is 1/4" and the conduit knockout is 7/8".



- Pull your electrical through the back panel and attach the back to the wall surface using appropriate fasteners.

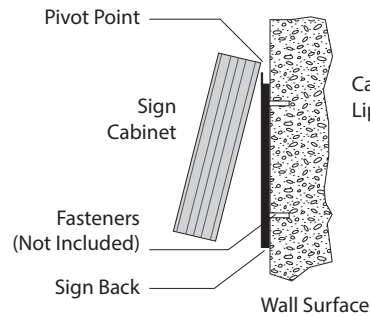


Be sure any metal debris cleared out of the cabinet.

- Make your electrical wiring connections. See the other side of this page.

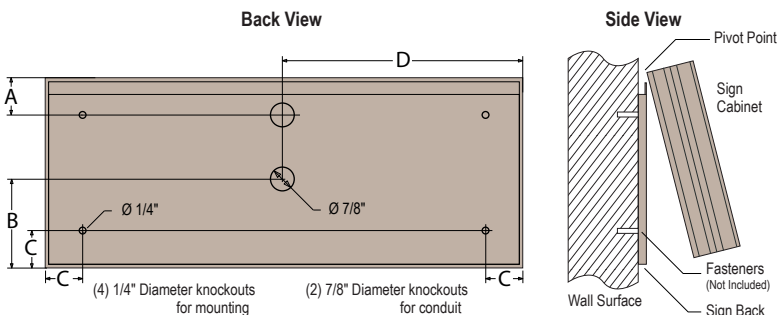
Low Voltage ONLY!

- With the electrical connections made, hang the sign cabinet on the lip of the back panel you mounted to the wall. Finish your electrical connection to the sign by reinstalling the pigtail connector to the power supply. The connector is "keyed" and can only be installed in one orientation. Close the cabinet and replace the two Phillips head screws you removed in step one.



Cabinet Hangs on Lip of Back Panel

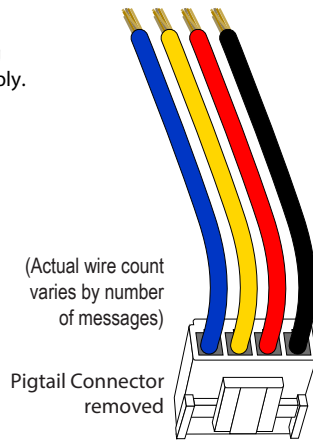
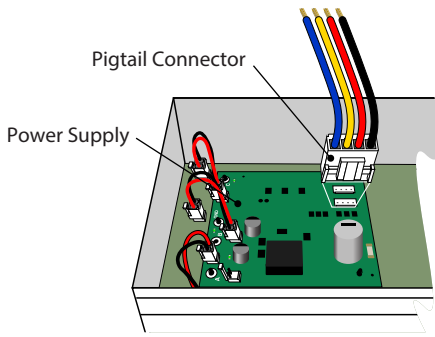
Wall Mount Installation



Cabinet High x Wide (Inches)	Dimension A Mounting Hole Vertical (Half of Sign Height)	Dimension B Center Knock-out Vertical	Dimension C Mounting Hole Horizontal	Dimension D Center Knock-out Horizontal (Half of Sign Width)
7 x 7	1 1/2"	3 1/2"	1 1/4"	3 1/2"
7 x 18	1 1/2"	2"	1 1/4"	9"
7 x 26	1 1/2"	3 1/2"	1 1/4"	13"
7 x 34	1 1/2"	3 1/2"	1 1/4"	17"
7 x 42	1 1/2"	3 1/2"	1 1/4"	21"
10 x 26	1 1/2"	5"	1 1/4"	13"
12 x 12	1 1/2"	6"	1 1/4"	6"
14 x 18	1 1/2"	7"	1 1/4"	9"
14 x 26	1 1/2"	7"	1 1/4"	13"
14 x 34	1 1/2"	7"	1 1/4"	17"
14 x 42	1 1/2"	7"	1 1/4"	21"
18 x 18	1 1/2"	9"	1 1/4"	9"

Making your Wiring Connections

1. To make your electrical connections easier, gently unplug the supplied wired pigtail connector from the power supply.



Low Voltage ONLY!

2. With your incoming power already running through the mounted back you can easily make all connections to the pigtail using wire connectors. (See below for diagrams of the various wiring applications)
3. Plug the pigtail connector back into the power supply to finish off the electrical part of your installation. The connector is "keyed" and can only be installed in one orientation
4. You're done with the electrical! Time to close up the sign by pushing the cabinet closed and replacing the two screws you removed from the bottom of the cabinet.



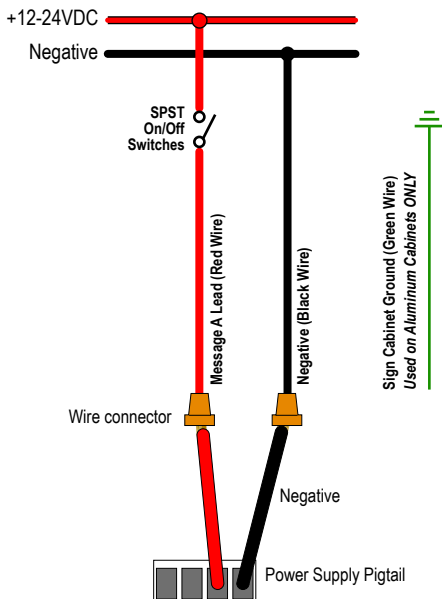
Note: Make appropriate wiring connections per local code.

LOW VOLT

Wiring for a Single Message Sign

- Wire color of Message A Red

Input range of 12-24VDC ONLY!

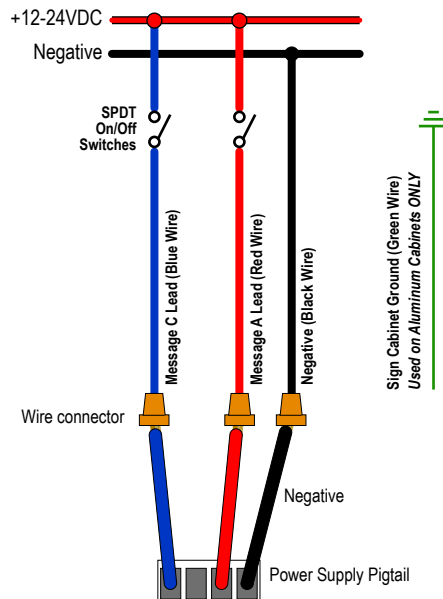


LOW VOLT

Wiring for a Two Message Sign

- Wire color of Message C Blue
- Wire color of Message A Red

Input range of 12-24VDC ONLY!

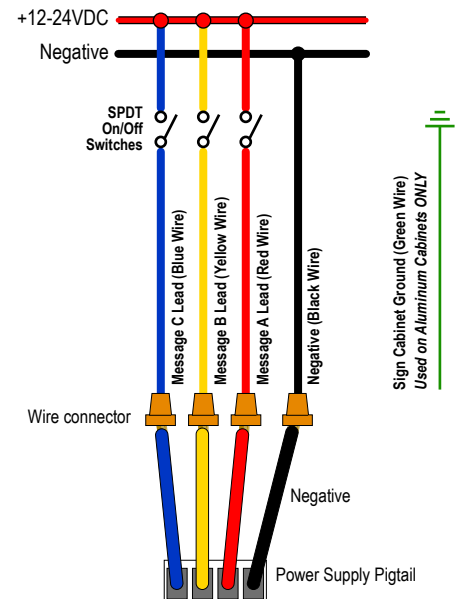


LOW VOLT

Wiring for a Three Message Sign

- Wire color of Message C Blue
- Wire color of Message B Yellow
- Wire color of Message A Red

Input range of 12-24VDC ONLY!



Note: Make appropriate wiring connections per local code.

Note: Any holes drilled into sign cabinet MUST be sealed. Failure to do so may cause a short and void warranty.

Note: This sign is intended to be installed in accordance with the requirements of Article 600 of the National Electric Code and/or other applicable local codes. This includes proper grounding and bonding of the sign.

Normal Operation

There are 4 LEDs on the power supply

+12V LED

Illuminates green with 12-24V power applied to the Pigtail.

A Output LED

Illuminates with power applied to Red wire

B Output LED

Illuminates with power applied to Yellow wire

C Output LED

Illuminates with power applied to Blue wire

