

# Switch Wiring Examples

- A** (1) Double Pole / Double Throw Switch
- B** (2) Double Pole / Double Throw Switches

All switches are compatible with all light sources.



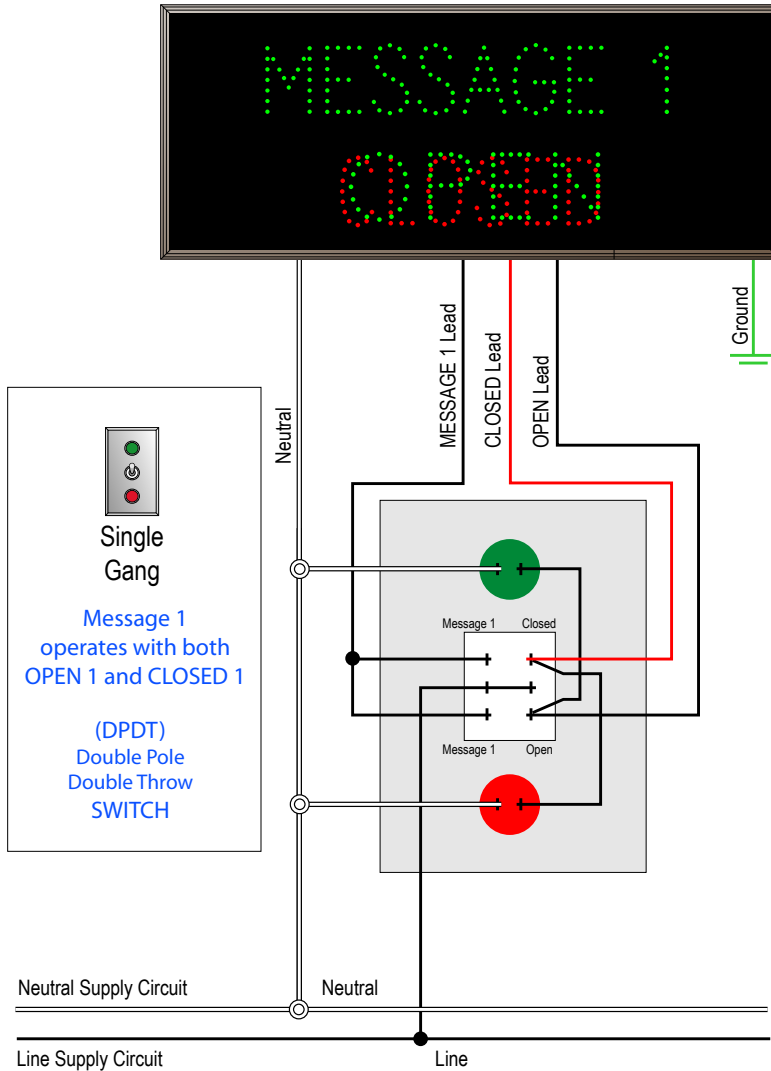
**Note:** This sign is intended to be installed in accordance with the requirements of Article 600 of the National Electric Code and / or other applicable local codes. This includes proper grounding and bonding of the sign.



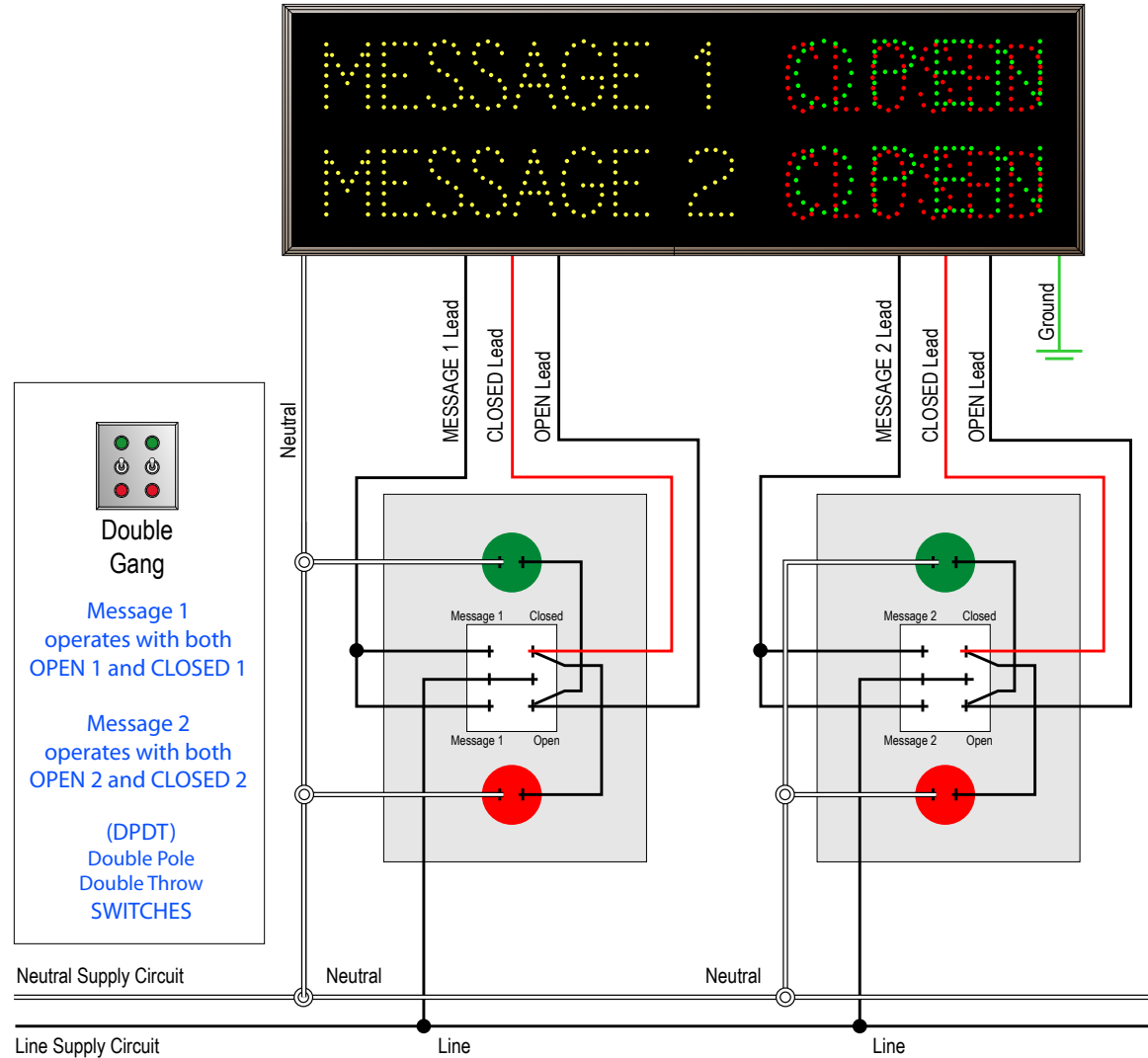
For Supply Connections  
Use Wire Rated For  
At Least 110° C

## Schematic Views

**A** Traffic Controller with Two Messages



**B** Traffic Controller with Four Messages



# Switch Wiring Examples

- A** (1) *Single Pole / Double Throw Switch*
- B** (1) *Single Pole / Single Throw Switches*



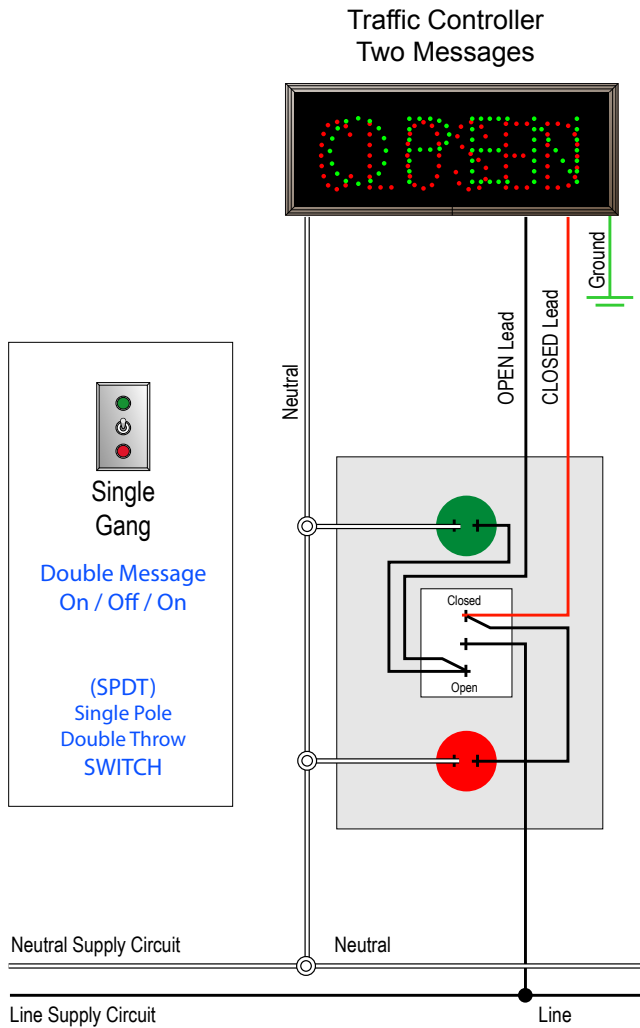
**Note:** This sign is intended to be installed in accordance with the requirements of Article 600 of the National Electric Code and / or other applicable local codes. This includes proper grounding and bonding of the sign.



For Supply Connections  
Use Wire Rated For  
At Least 110° C

## Schematic Views

**A** Traffic Controller with Two Messages



**B** Traffic Controller with One Message

