

PRODUCT ID: 8763

Switch

MODEL

TG222-RAG SPST/120VAC

DIMENSIONS

4.5" H x 6.37" W x 1" D (est. 1 lbs)

CONSTRUCTION

Finish: Switch plate brushed stainless steel

Switch: Switch with pre-wired pigtails and indicator lights

Switch plate: Stamped stainless steel pre-punched for switch(es) and indicator light(s)

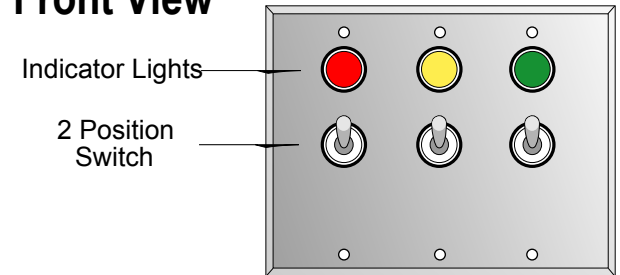
ELECTRICAL

Input Voltage: 120VAC

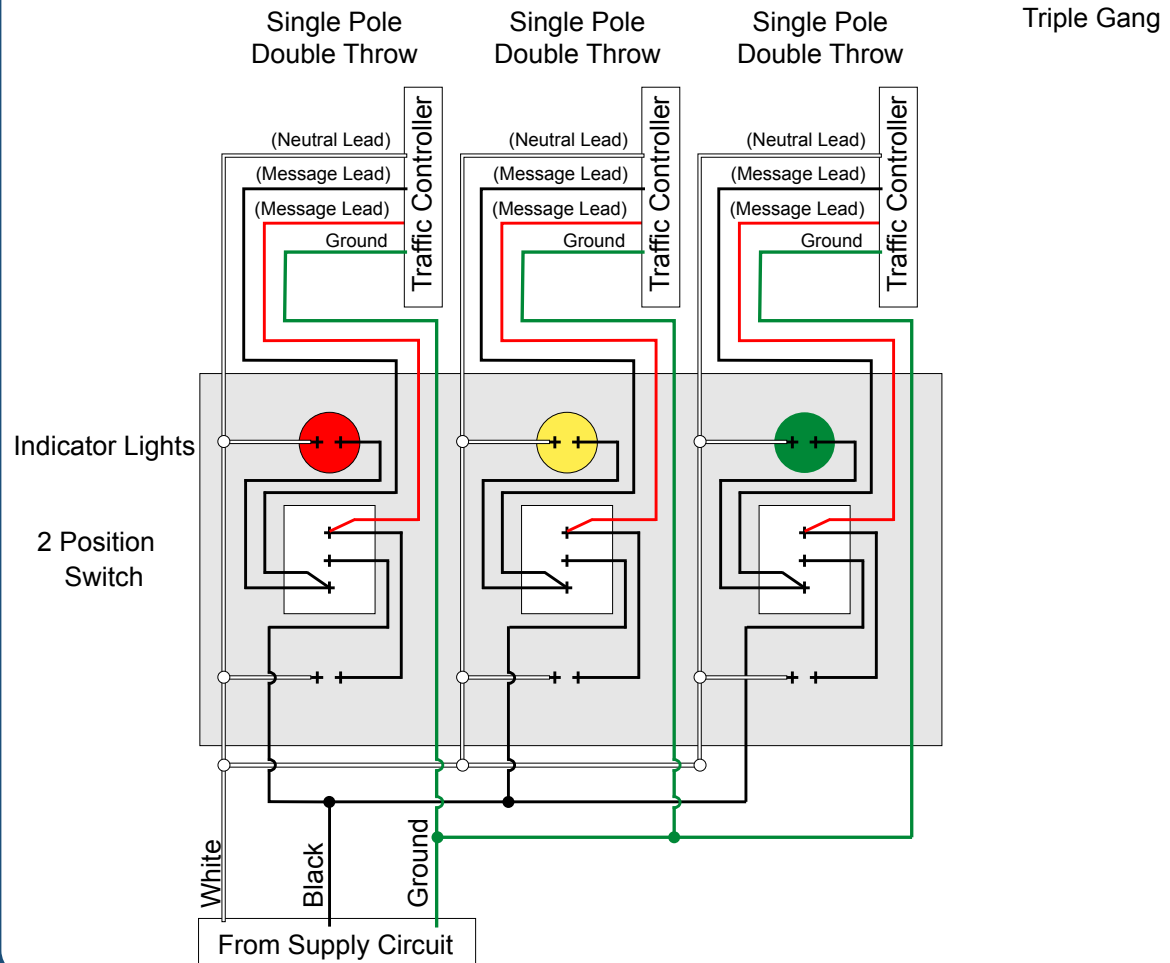
Product View

NOTE: Sign image may not exactly represent the finished product. For illustration purposes only.

Front View



Schematic View



Lightbox Shop
www.lightboxshop.com
Manufactured in
Eries, PA 16509

Proudly Made in the USA