

PRODUCT ID: 31885

Switch

MODEL

SG3 SPDT/277VAC

DIMENSIONS

4.5" H x 2.75" W x 1" D (est. 1.2 lbs)

CONSTRUCTION

Finish: Switch plate brushed stainless steel

Switch: Switch with pre-wired pigtails and indicator lights

Switch plate: Stamped stainless steel pre-punched for switch(es) and indicator light(s)

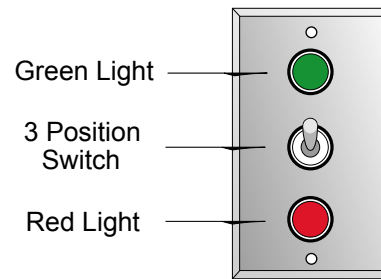
ELECTRICAL

Input Voltage: 277VAC

Product View

NOTE: Sign image may not exactly represent the finished product. For illustration purposes only.

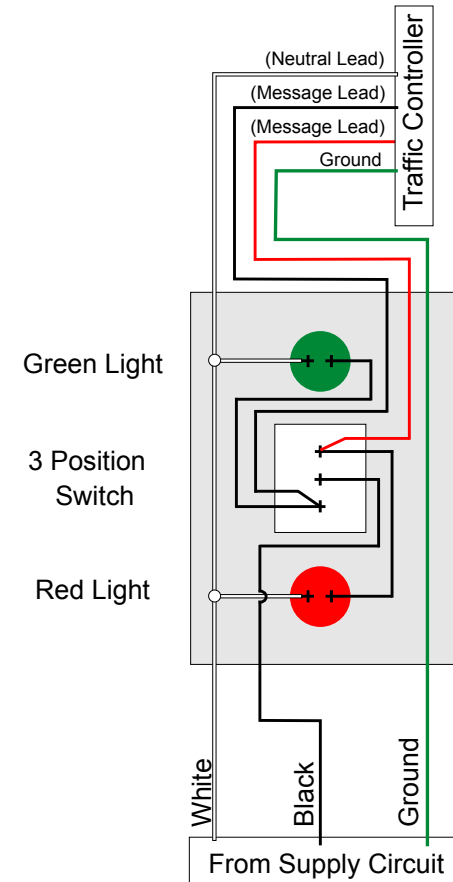
Front View



Single Gang

Schematic View

Single Pole
Double Throw



Lightbox Shop
www.lightboxshop.com
Manufactured in
Eries, PA 16509

Proudly Made in the USA