

## PRODUCT ID: 1992

### Switch

#### MODEL

DG33 SPDT/120VAC

#### DIMENSIONS

4.5" H x 4.5" W x 1" D (est. 0.45 lbs)

#### CONSTRUCTION

**Finish:** Switch plate brushed stainless steel

**Switch:** Switch with pre-wired pigtails and indicator lights

**Switch plate:** Stamped stainless steel pre-punched for switch(es) and indicator light(s)

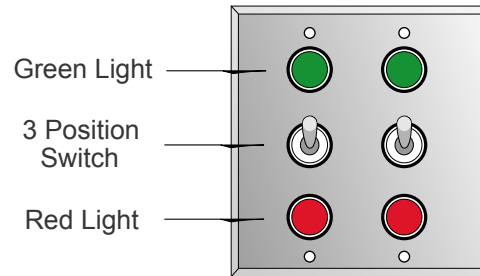
#### ELECTRICAL

**Input Voltage:** 120VAC

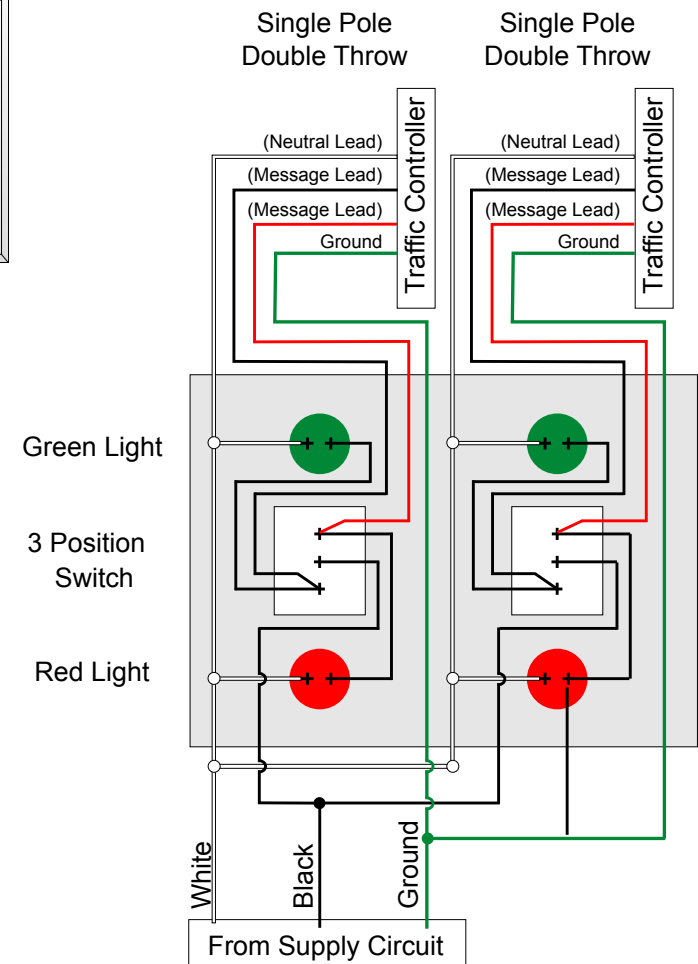
## Product View

NOTE: Sign image may not exactly represent the finished product. For illustration purposes only.

### Front View



### Schematic View



**Lightbox Shop**  
www.lightboxshop.com  
Manufactured in  
Eries, PA 16509

Proudly Made in the USA