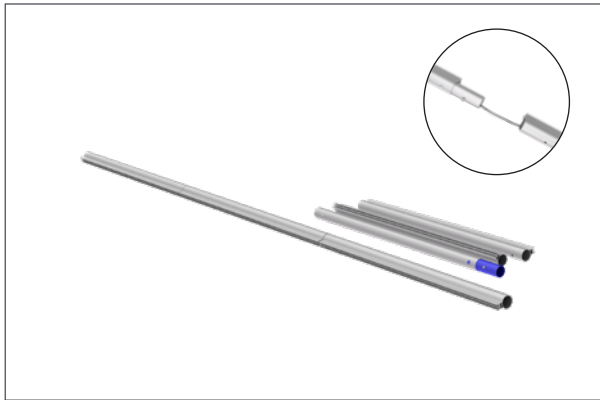


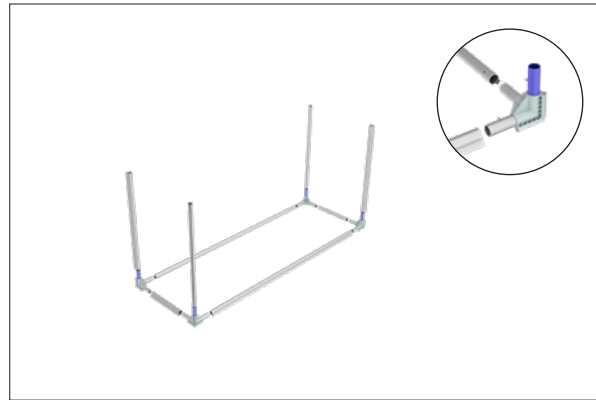
# Set Up Instructions

# CSNRC-200M

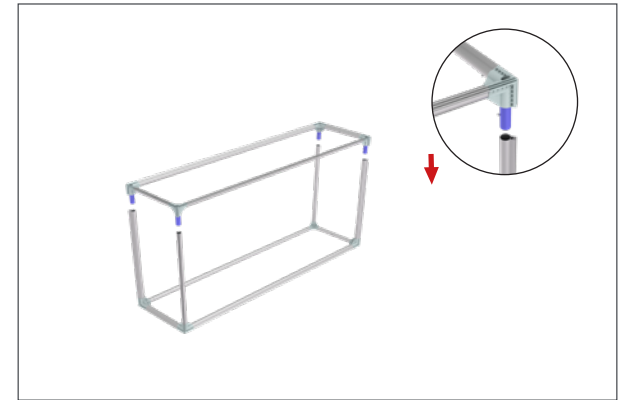
**Step 1:** Assemble all straight pipes with bungee cords by pushing and pulling together.



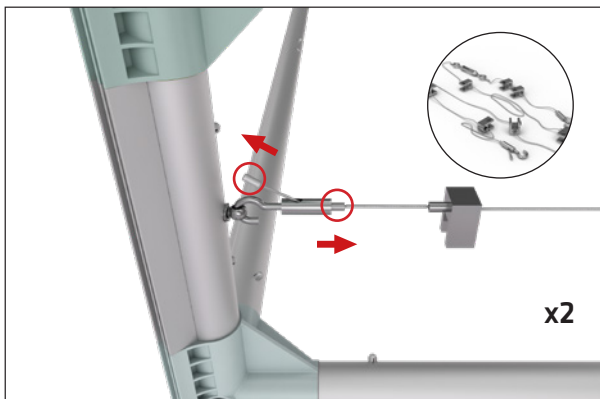
**Step 2:** Connect all corner sections to straight sections of the frame by matching color on pipes.



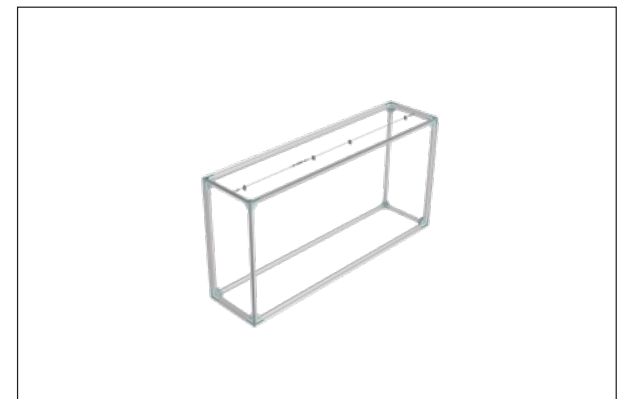
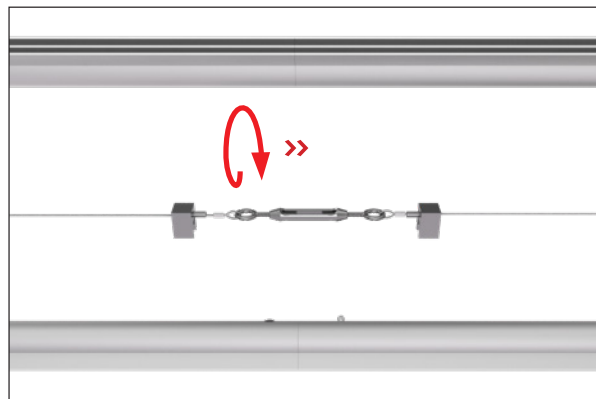
**Step 3:** Build two outer frames and connect top and bottom frames together in the corners with small connecting pipes.



**Step 4:** At the top of the frame attach cable to left and right side. Tighten or loosen with hand pull.



**Step 5:** Move to the center of cable and hand tighten remaining turn buckle to remove any remaining slack. Do not over tighten.



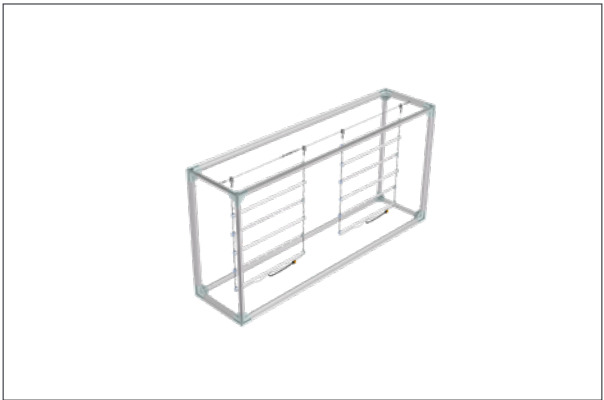
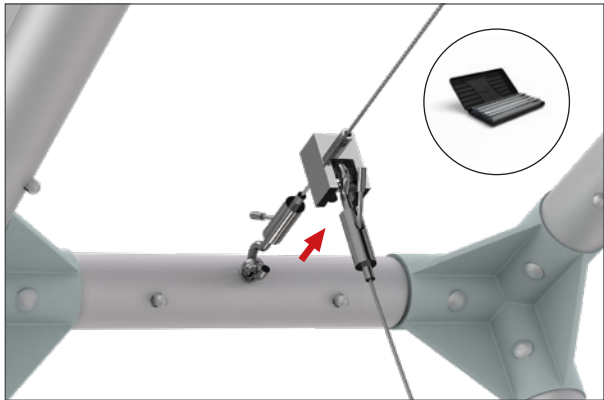
# Set Up Instructions

# CSNRC-200M

**Step 6:** Take out the LED Lights and hook the Light Array onto the wire harness clips at the top of frame

Repeat until all Light Arrays are attached. Lights Arrays do not attach to bottom of frame, but hang under their own weight in final upright position.

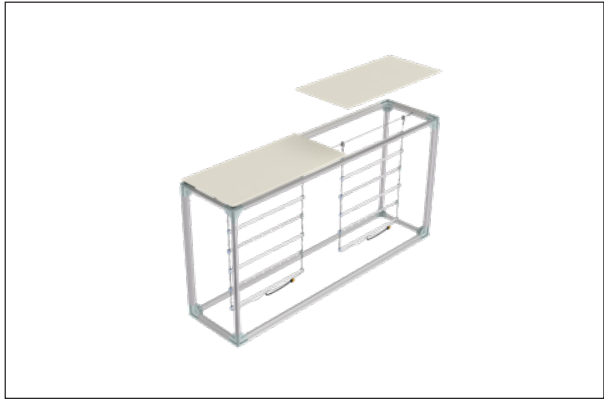
**Step 7:** Completed frame with Light Arrays attached.



**Step 8:** Fit PVC inner boards onto the top of frame with wedge side face down. Position and align boards until they are all fitted down into the frame.

**Step 9:** Drape the graphic over frame and gently pull down to bottom of counter on all sides.

**Step 10:** To complete installation of graphic, gently place counter on its side.



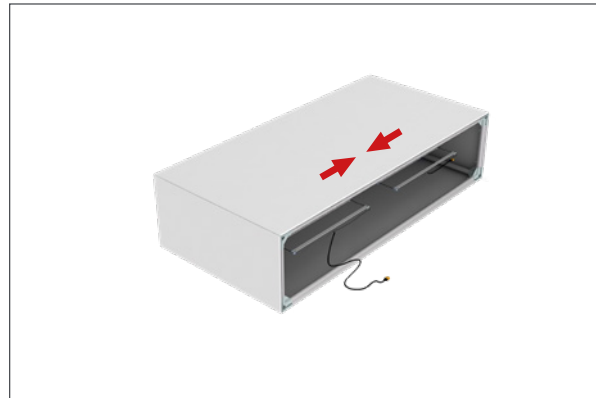
# Set Up Instructions

# CSNRC-200M

**Step 11:** Start in one corner of the frame and push the silicone edge of graphic into the outside bottom groove. Insert for 4-6 inches in both directions. Repeat on all corners.



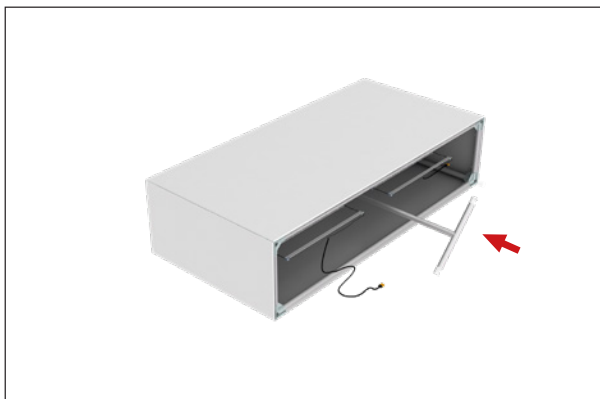
**Step 12:** Continue inserting silicone edge of graphic into the frame working towards the center of frame on each side. Do not over pull or stretch.



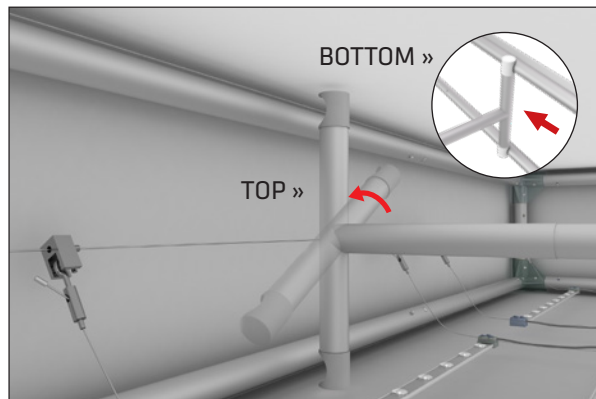
**Step 13:** Assemble tensioning pole.



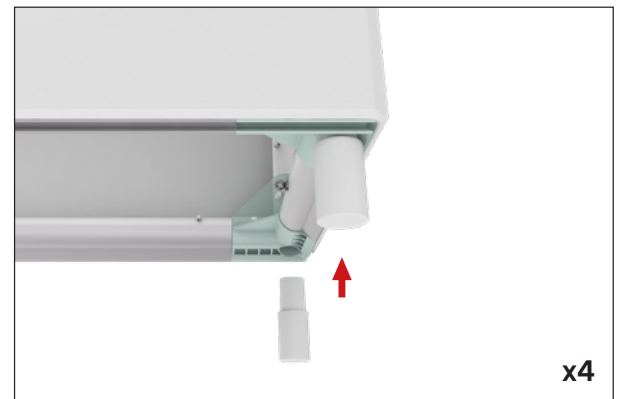
**Step 14: Turn. Position. Lock.** Insert tensioning pole into the bottom of display. Keep the pole flat until the entire pole fits inside the frame. **Turn** the pole 45°.



**Position** and push pole into the top of frame and rotate into position. **Lock** the bottom of the pole by firmly sliding or knocking the pole into place.



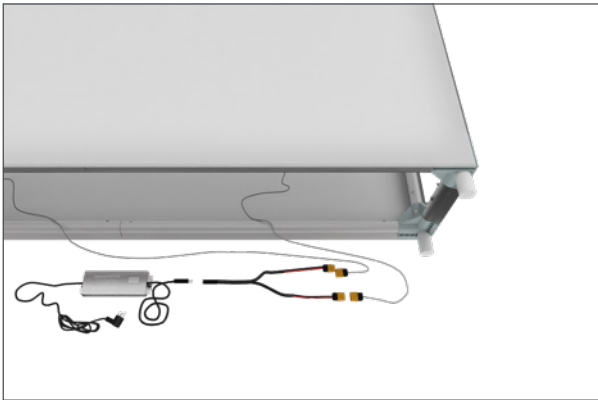
**Step 15:** Insert feet into 4 corners of the frame base.



## Set Up Instructions

## CSNRC-200M

**Step 16:** Attach upto x2 LED Light Arrays to one power supply. Stand counter into upright position over top of power supply with power cord showing.



**Step 17:** Move counter into position and plug power cords into outlet to illuminate display.

